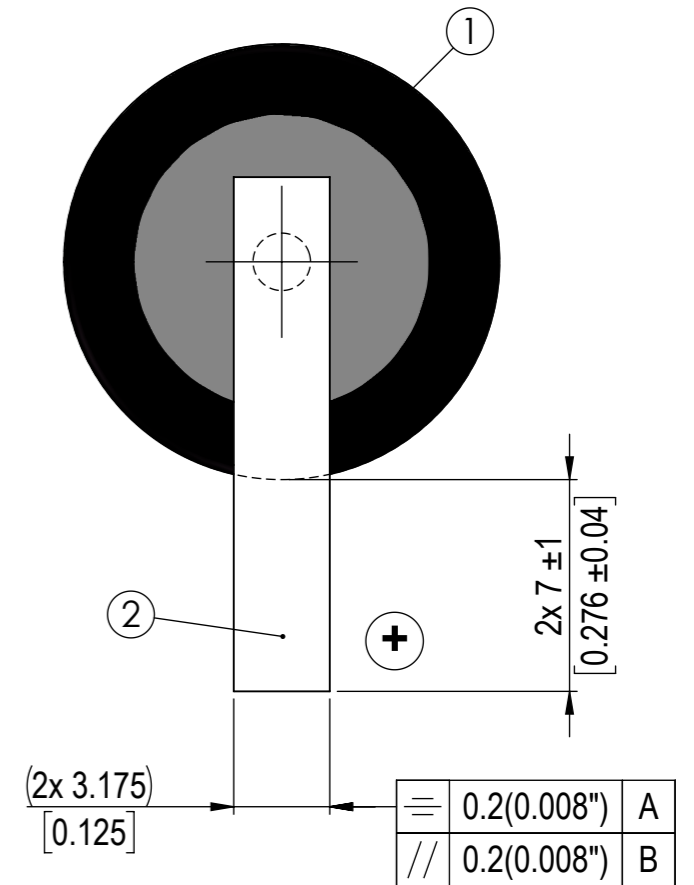
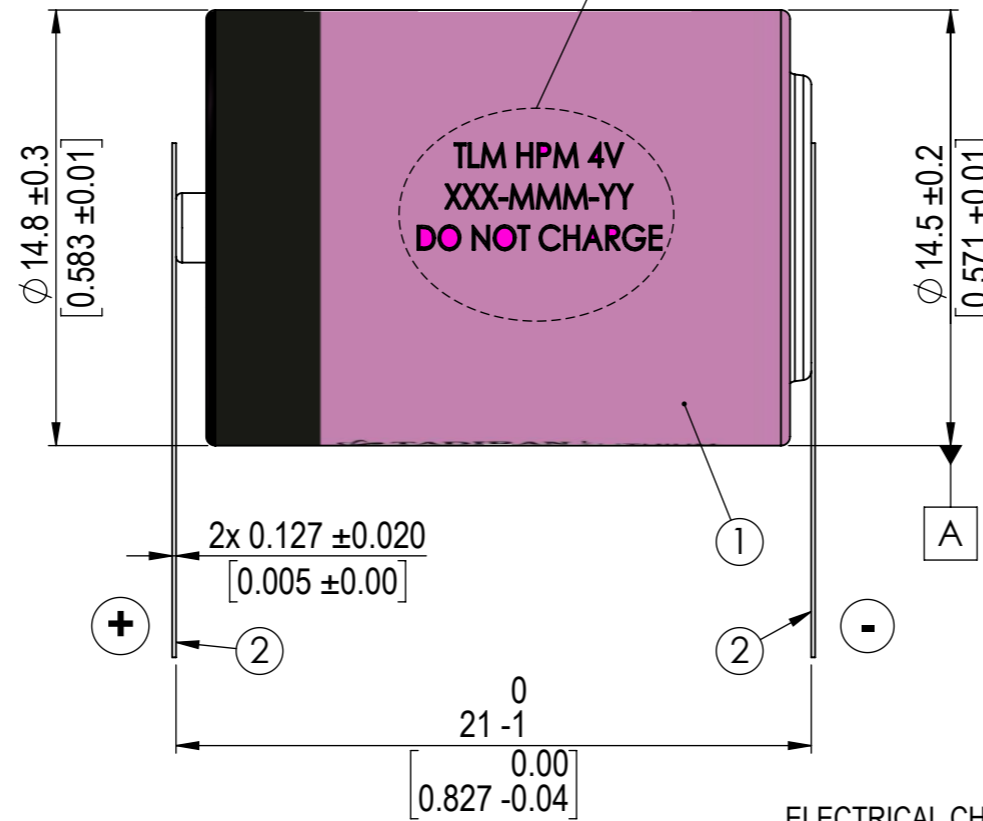
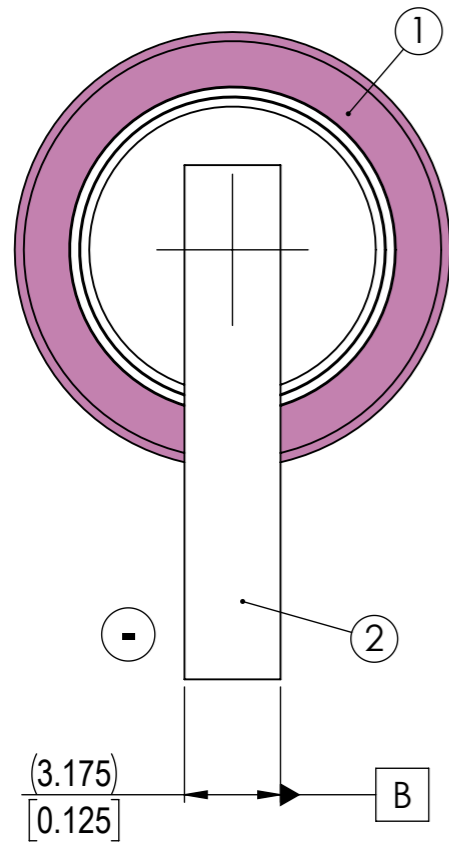


WARNING!
 ALL THE INFORMATION CONTAINED IN THIS DOCUMENT OR DISCLOSED BY IT IS THE PROPERTY OF TADIRAN BATTERIES LTD. AND MAY NOT BE USED WITHOUT ITS WRITTEN AUTHORIZATION.

LEGEND:
 TLM-HPM - CELL MODEL
 4V - NOMINAL VOLTAGE
 XXX - BATCH CODE
 MMM-YY - PRODUCTION DATE

REV.	DESCRIPTION	E.C.N.	DATE	DRAWN	CHECKED
A	NEW DRAWING	6103297	22/01/2017	PETER	EITAN



ELECTRICAL CHARACTERISTICS (@RT):

- | | |
|---|----------------|
| 1) OPEN CIRCUIT VOLTAGE: | 3.95V TO 4.07 |
| 2) CLOSED CIRCUIT VOLTAGE @0.1SEC 0.125A: | 3.88V MIN. |
| 3) DISCHARGE CAPACITY TO 2.8V @ 5mA: | 125mAh |
| 4) DISCHARGE CAPACITY TO 2.8V @125mA: | 000mAh |
| 5) MAX. DISCHARGE CURRENT FOR 1SEC PULSE TO 2.6V: | 3.75A |
| 3) OPERATING VOLTAGE: | -40°C TO +85°C |
| 4) WEIGHT MAXIMUM: | 9gr |



REAR SIDE PRINT

2	61000012007	FLAT TAB	NICKEL 200 1/8"x0.005"	PC	2	
1	61155113020	TLM-1520HPM		PC	1	
N	PART NUMBER	NAME	DESCRIPTION	U	QT	NOTES

UNLESS OTHERWISE SPECIFIED:		TLM-1520HPM/T P/N : 72152322150				
ALL DIMENSIONS ARE IN MM.						
TOLERANCES: LINEAR: ±0.5 ANGLES: ±1°						
ROUGHNESS: ✓ (✓)						
SCALE: NON		PROD/PROJ: ?				
TADIRAN BATTERIES LTD		DRAWN	Peter Faigenboim	22/01/2017	SHEET/OF 01/01	
		DESIGNED	Peter Faigenboim	22/01/2017		
		CHECKED	Eitan Pinhasi	22/01/2017		
		APPROVED	Eitan Pinhasi	22/01/2017		
72152322151						